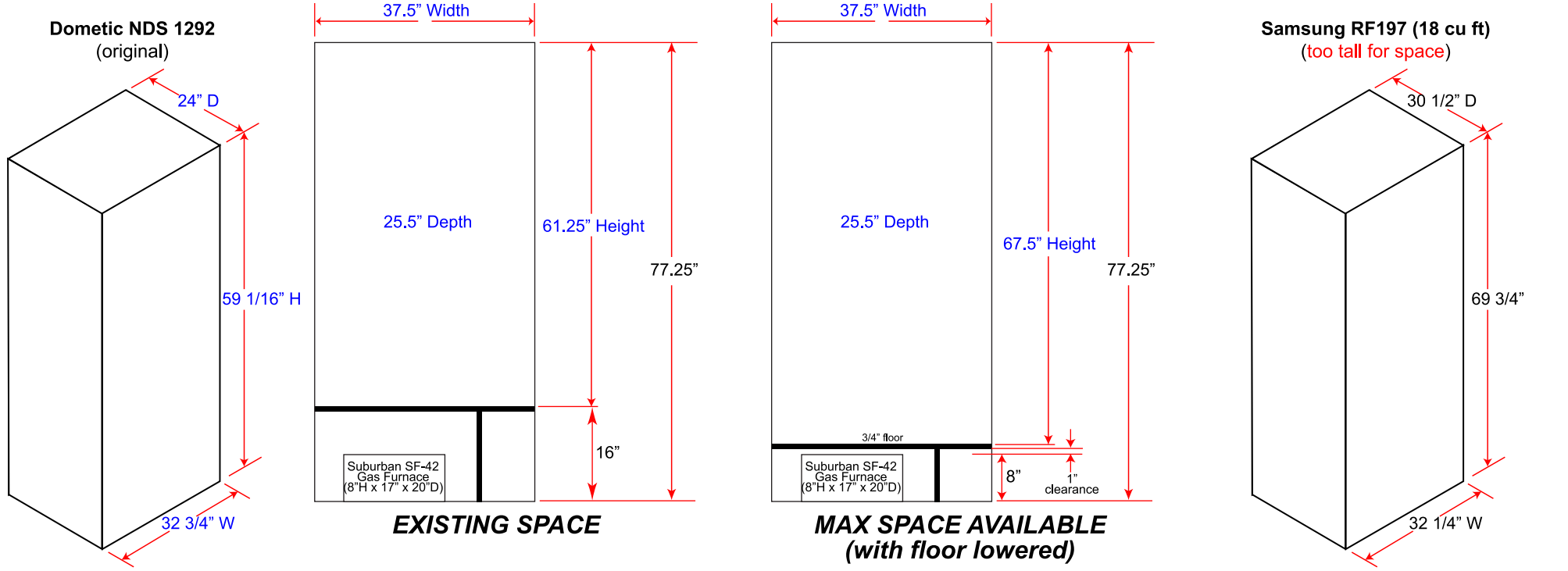
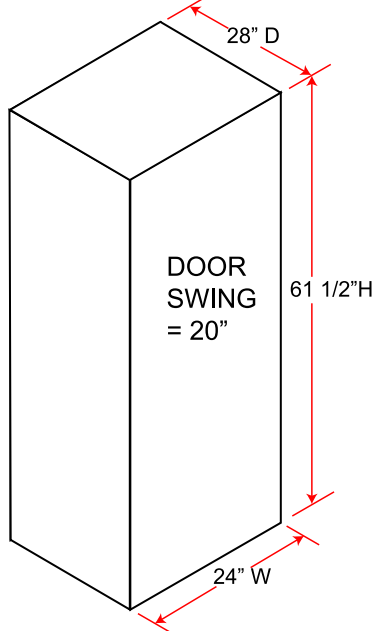


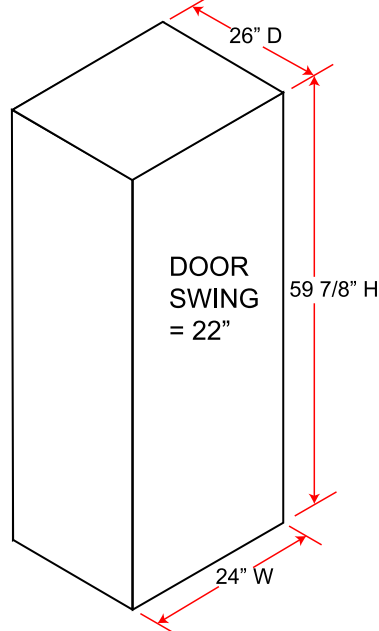
# Residential Fridge Install – Replacing a Dometic NDR1292 Absorption Fridge in a 2001 Newmar MADP 4095



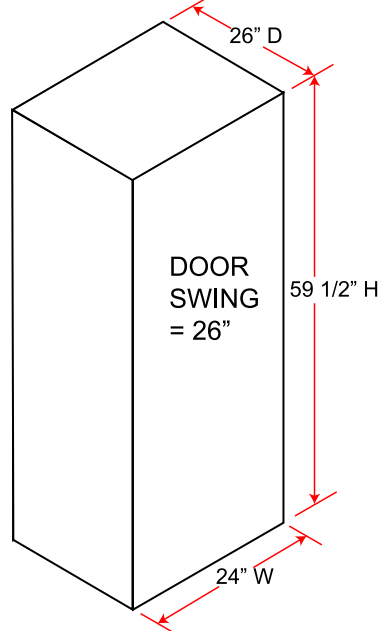
**Whirlpool WRT111SFAF (11 cu ft)**  
 Home Depot - \$404  
 (0.5" top/side, 2" rear clearances)



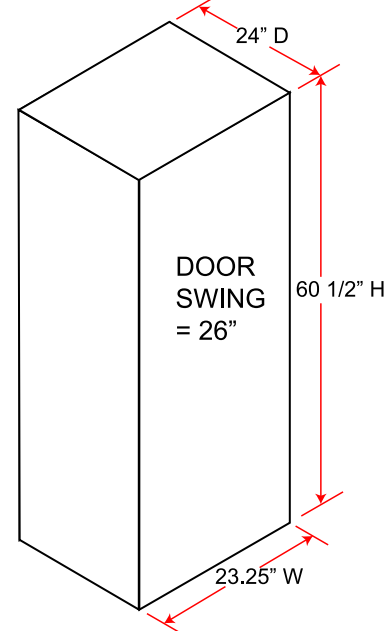
**Frigidaire FFPT10F3N (10 cu ft)**  
 Lowes \$470  
 (needs 12" top clearance!)



**Summit FF1152 (10 cu ft) - \$820**  
 (needs 5" clearance back/sides)



**Summit FF882WSS (9 cu ft) - \$530**  
 (needs 5" clearance back/sides)



**Danby DFF282SLDB (10 cu ft) - \$495**  
 (NOT intended for built-in)

